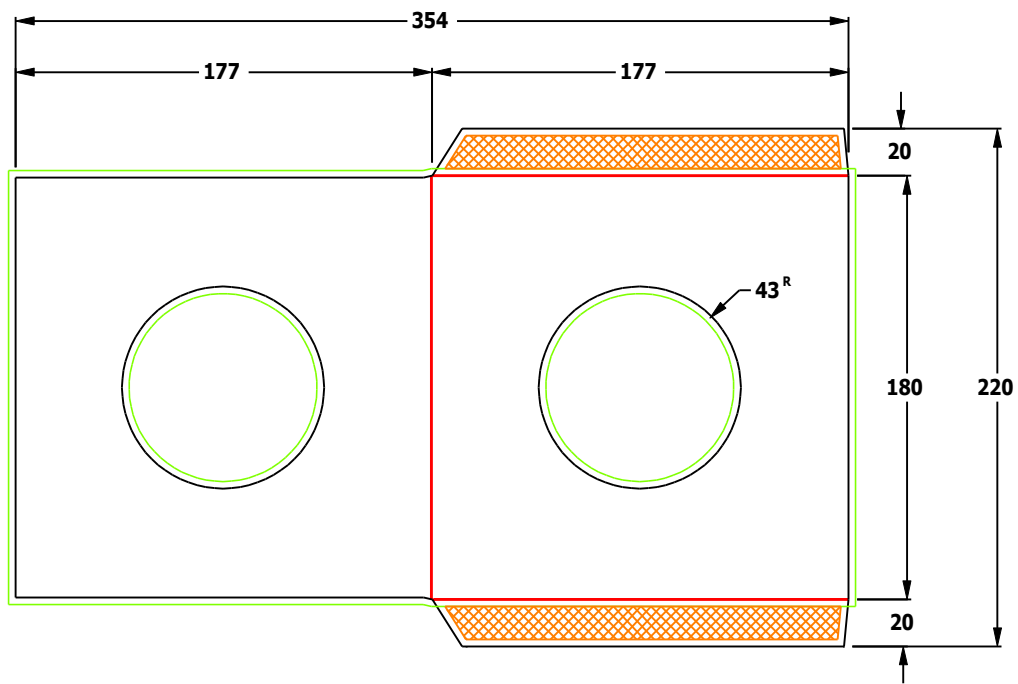


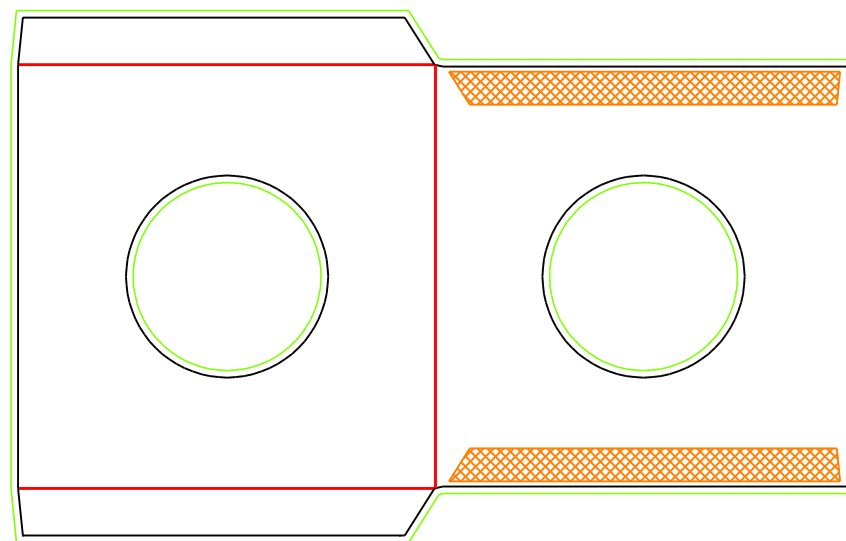


TECHNICAL SPECIFICATION

Front View



Back View



Lines type: — Cut — Crease — Bleed — Perforation — Glued

Please consider the general printing specifications and the general product information.